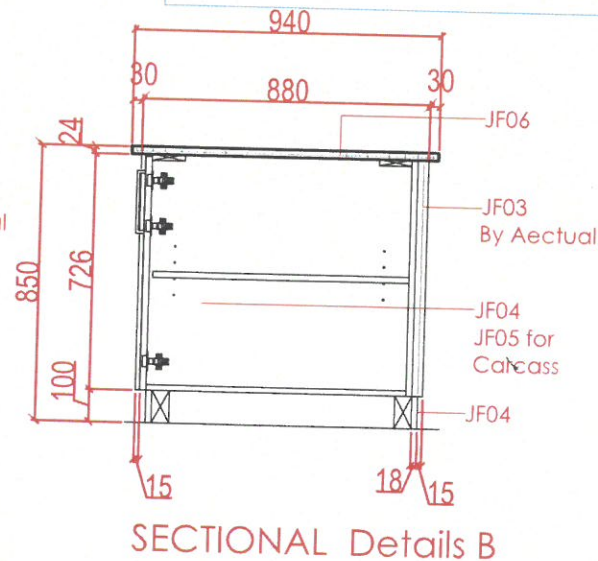
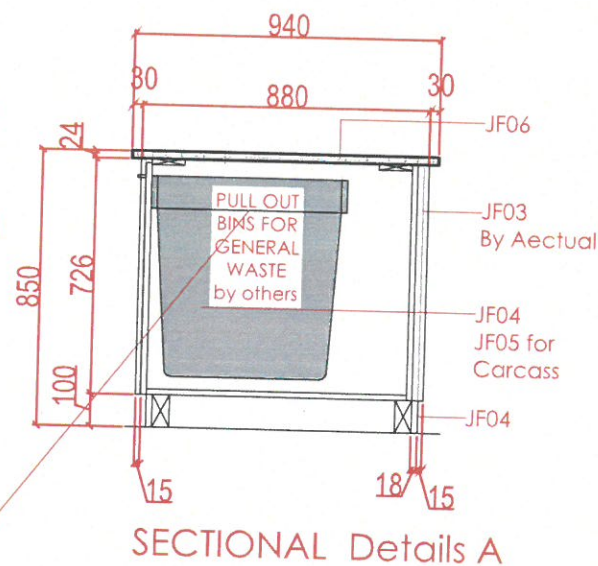
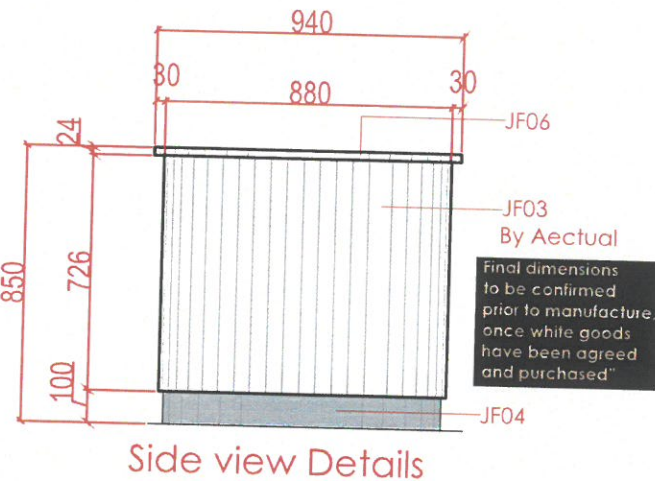
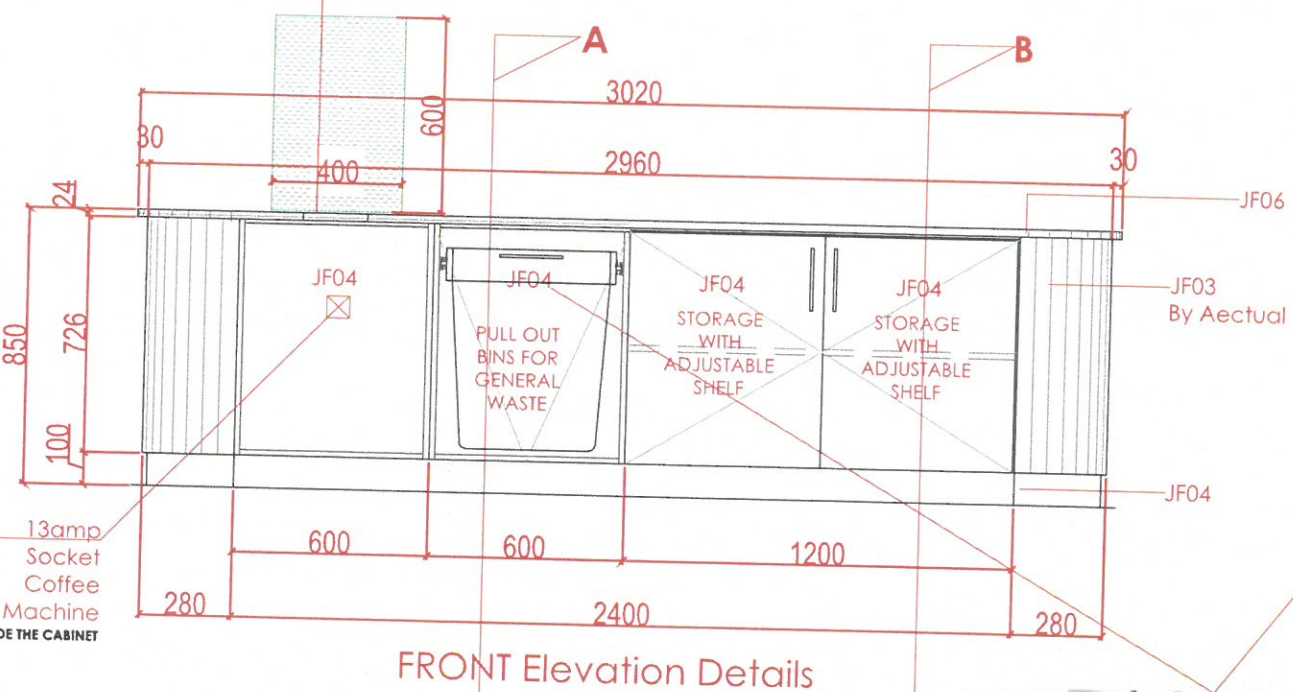
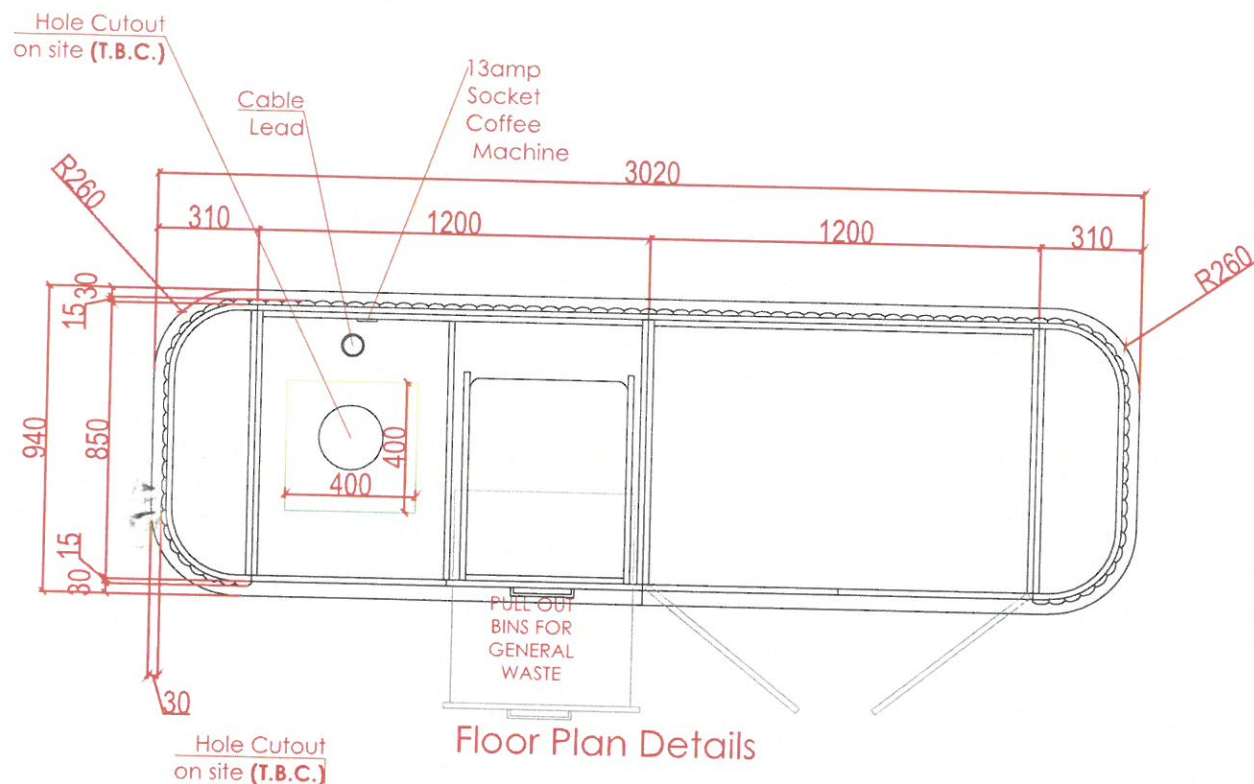


Joinery J02- Anchoring Hub Island Anchoring Hub

ITEM A ON THE LIST
QTY 1

- ADJUSTABLE SHELVES TO ALL CABINETS
- JF05 LAMINATE WITHIN THE CARCASS



FINISHES

JF03

Finished: Ribbed
Colour: Marine Blue
Aectual



JF04

Colour:
Laminate to match
JF03. Finish:
U504 ST9 Tyrolean Blue



JF05

Laminate Finish:
WITHIN THE CARCASS



www.wood-styles.com

Copyright of designs shown herein is retained by this office. Authority is required for any reproduction. © Copyright Wood-styles Ltd.

Nigeria, Lagos +234 80 9037 9888
Email: info@wood-styles.com

Project
Citi contracting
TetraPak Project

Owner

Date	Description
DSD-V1-ID-2/10/2024	- REV1
DSD-V1-ID-9/11/2024	- REV2
DSD-V1-ID-5/12/2024	- REV3
DSD-V1-ID-7/1/2025	- REV4



FOR APPROVAL

Project No. : ---
Scale : N/A
Drawn by : OBJ
Checked : OBJ
Cad File : CAD_FILE

Sheet title
J02- Anchoring Hub Island
Floor Plan ,Elevation and Side Details

Dwg No. : WS-DS-SD-TP-002
No. : SHEET 1

